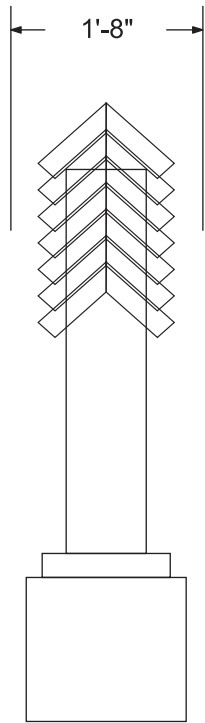
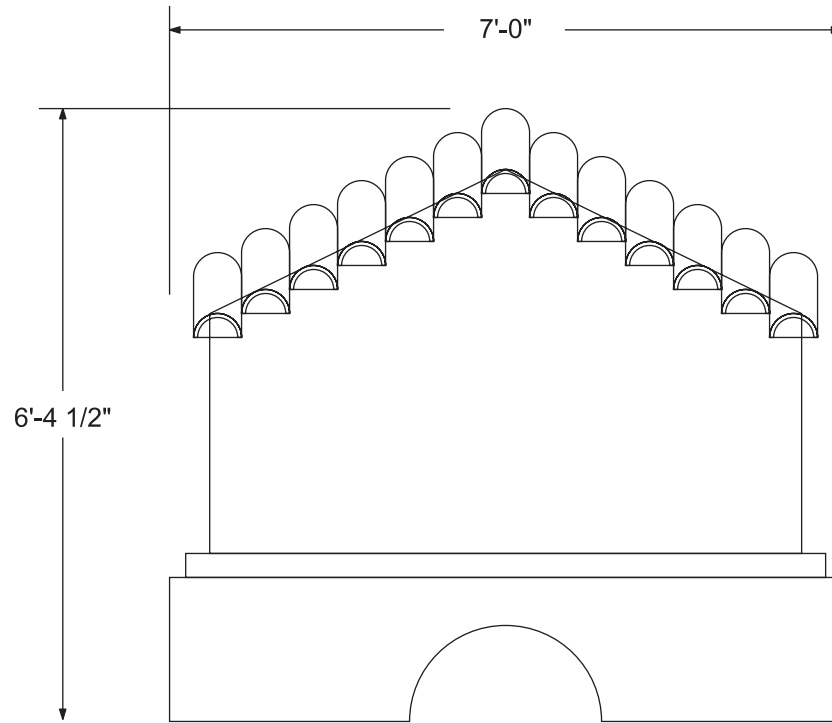


End View



Front and Back View



<p><i>Peachtree City</i> Foamcraft ARCHITECTURAL ACCENTS & SIGN STRUCTURES 386 Senoia Rd., Tyrone, GA 30290 Ph: 770-487-5491 Fax: 770-487-5408</p>	<p>Standard Model #37 Size: 6' 4-1/2" x 7' 0" Overall Sq/Ft: 44.63 Date: 5/19/2003 Scale: 1/2" = 12"</p>	<p>Notes:</p> <hr/> <hr/> <hr/> <hr/>	<p>Copyright Notice ©</p> <p>This drawing and all reproductions thereof are the property of Peachtree City Foamcraft and may not be reproduced, published, changed or used in any way without written consent.</p>
---	--	---------------------------------------	--