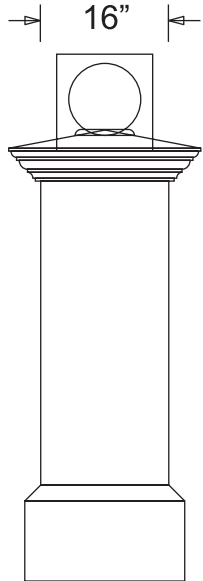
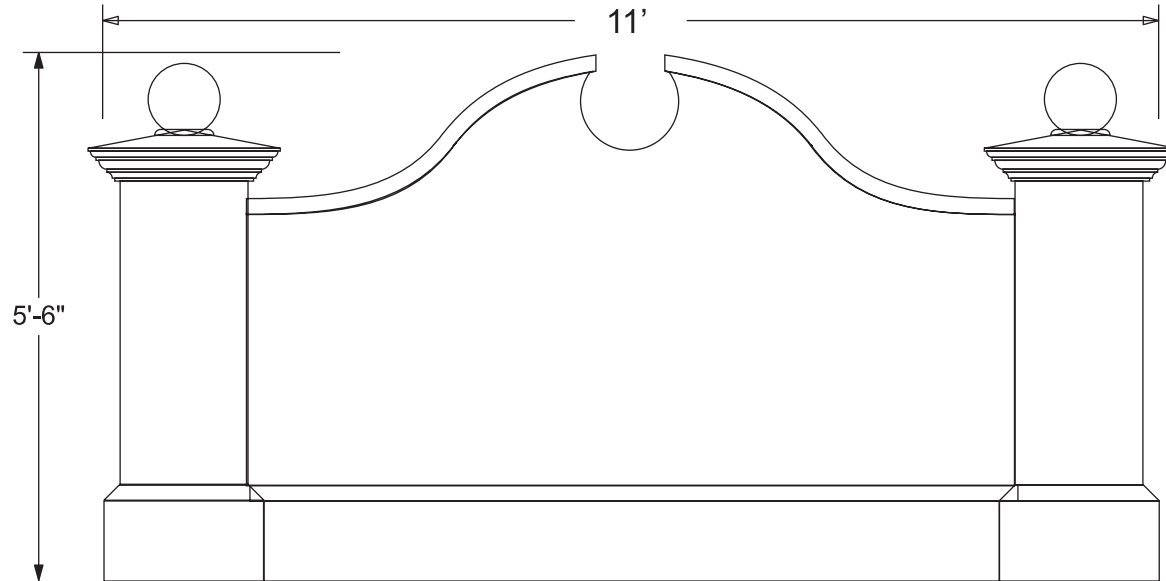


End View



Front and Back View



<p><i>Peachtree City</i> Foamcraft ARCHITECTURAL ACCENTS & SIGN STRUCTURES 386 Senola Rd., Tyrone, GA 30290 Ph: 770-487-5491 Fax: 770-487-5408</p>	<p>Standard Model #3 Size: 5' 6" x 11' 0" Overall Sq/Ft: 60.5 Date: 5/10/99 Scale: 1/2" = 12"</p>	<p>Notes:</p> <hr/> <hr/> <hr/> <hr/>	<p>Copyright Notice ©</p> <p>This drawing and all reproductions thereof are the property of Peachtree City Foamcraft and may not be reproduced, published, changed or used in any way without written consent.</p>
---	---	---------------------------------------	--