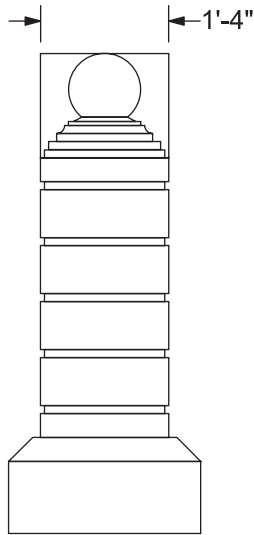
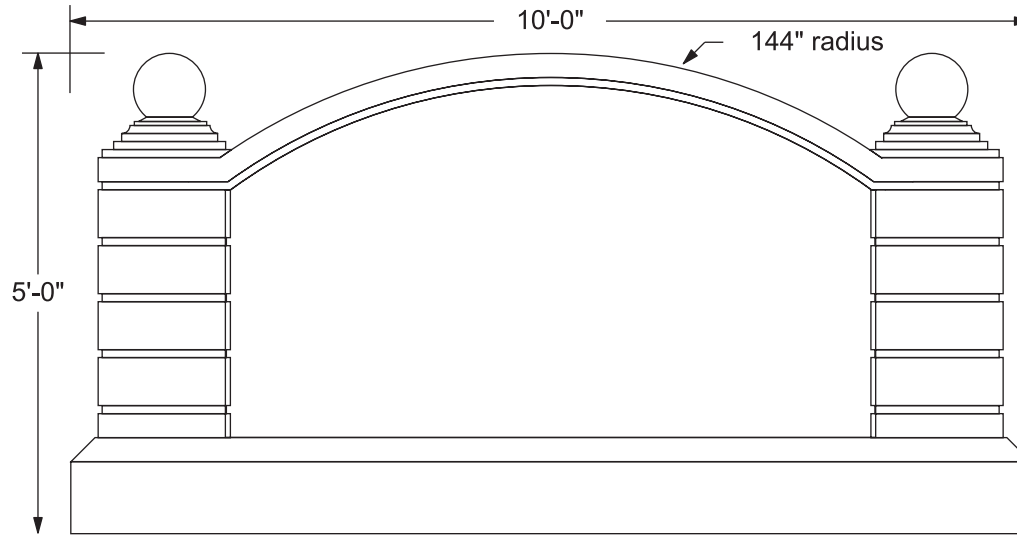


End View



Front and Back View



Peachtree City
Foamcraft
ARCHITECTURAL ACCENTS & SIGN STRUCTURES
386 Senoia Rd., Tyrone, GA 30290 Ph: 770-487-5491 Fax: 770-487-5408

Standard Model #22
Size: 5' 0" x 10' 0"
Overall Sq/Ft: 50
Date: 5/10/99
Scale: 1/2" = 12"

Notes:

Copyright Notice ©

This drawing and all reproductions thereof are the property of **Peachtree City Foamcraft** and may not be reproduced, published, changed or used in any way without written consent.