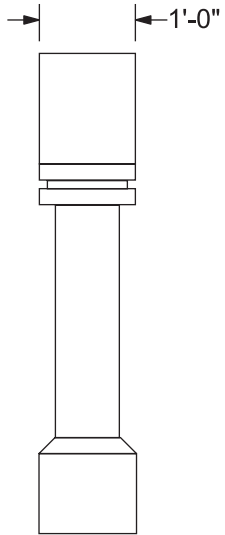
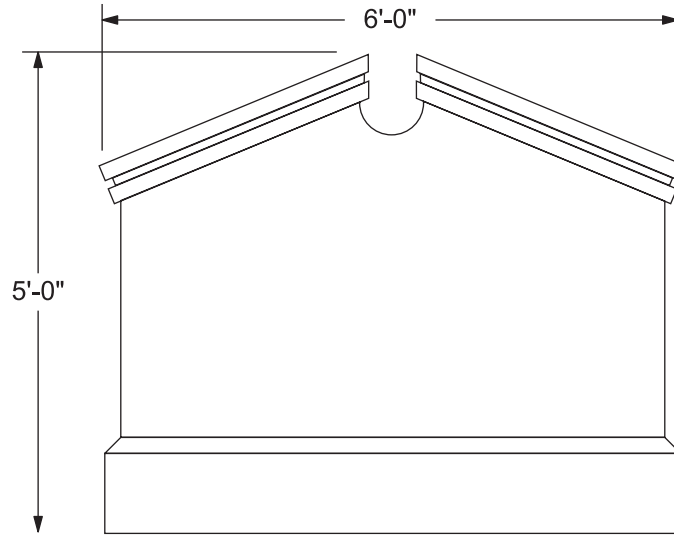


End View



Front and Back View



<p><i>Peachtree City</i> <b>Foamcraft</b> ARCHITECTURAL ACCENTS &amp; SIGN STRUCTURES 386 Senoia Rd., Tyrone, GA 30290 Ph: 770-487-5491 Fax: 770-487-5408</p>	<p>Standard Model #12 Size: 5' 0" x 6' 0" Overall Sq/Ft: 30 Date: 5/10/99 Scale: 1/2" = 12"</p>	<p>Notes:</p> <hr/> <hr/> <hr/> <hr/>	<p><b>Copyright Notice ©</b></p> <p>This drawing and all reproductions thereof are the property of <b>Peachtree City Foamcraft</b> and may not be reproduced, published, changed or used in any way without written consent.</p>
---	---	---------------------------------------	--